

## LiberoPro

### Flat Induction 1 Phase, double zone, drop in - UK Plug

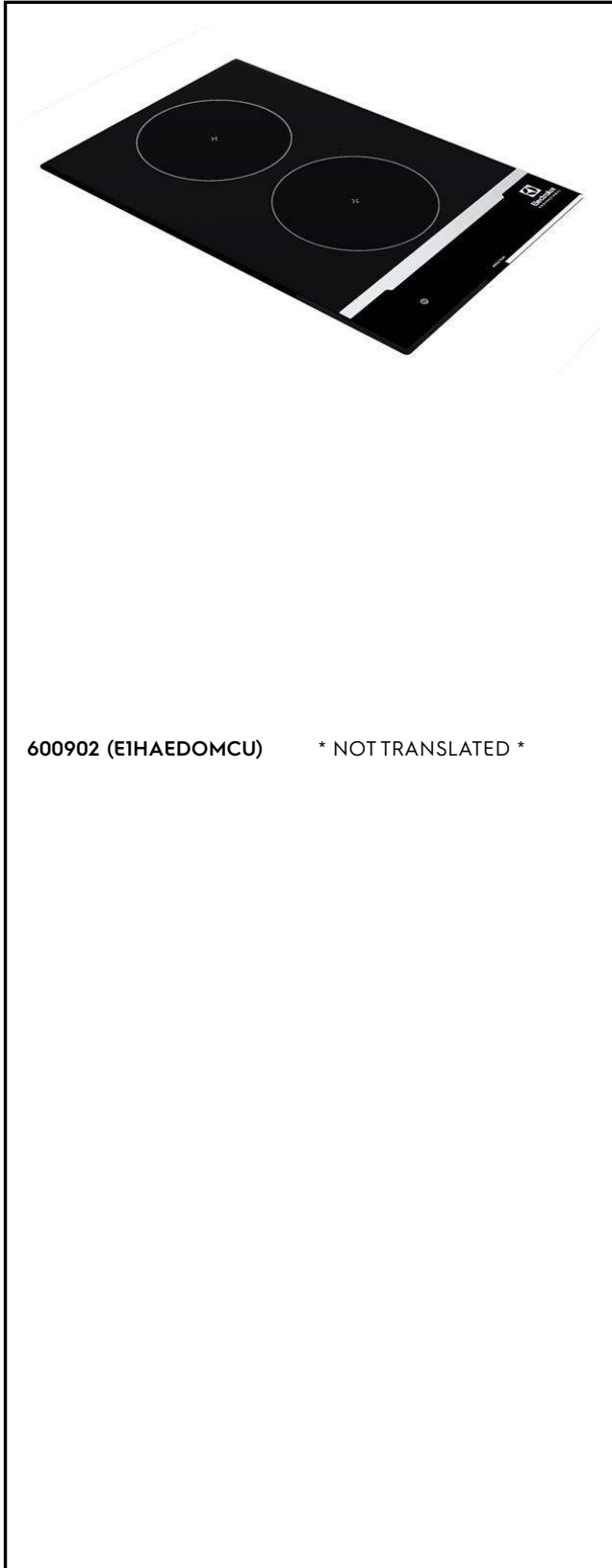
ITEM # \_\_\_\_\_

MODEL # \_\_\_\_\_

NAME # \_\_\_\_\_

SIS # \_\_\_\_\_

AIA # \_\_\_\_\_



600902 (E1HAEDOMCU) \* NOT TRANSLATED \*

### Main Features

- Plug in unit designed for drop in installations.
- 2-color user interface (white and red) for better readability.
- Rapid heat transfer directly to the pan, no heat is dispersed into the environment.
- Automatic pan detection to transfer power only when pan is present.
- Glass touch display on top for maximum visibility.
- Power level settings from 1 to 10.
- Timer function can be used to set the cooking time, switching off the zone automatically at the end of the time set.
- 2 independently controlled cooking zone.
- BRIDGE FUNCTION allows to combine the two separate cooking zones to create a single large surface suitable for rectangular pan of max dimensions of 350x450mm.
- Suitable for pots and pans with diameter from 120 mm to 240 mm for each cooking zone.
- Maximum usable power: 3.5 kW. The user interface shows the power level selectable on each cooking zone according to the power used.
- Self-diagnostics: an error code is displayed (Exxx) in case of dysfunction.
- Sealed heavy duty glass-ceramic cooking surface, 4 mm in thickness.

### Construction

- Heavy duty AISI 304 Stainless steel construction.
- Cord and plug included.
- IPX4 water resistance certification.

### Sustainability

- [NOT TRANSLATED]

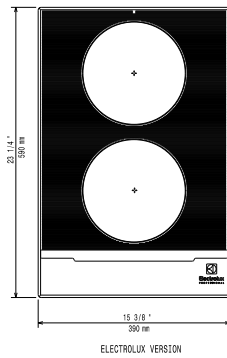


### Optional Accessories

- - NOT TRANSLATED - PNC 650146
- - NOT TRANSLATED - PNC 650147
- Stainless steel universal frying pan with stainless steel handle (diam. 200mm) suitable for induction and all other heating sources PNC 653596
- Universal frying pan with stainless steel handle (diam. 240mm) suitable for induction and all other heating sources PNC 653597
- Universal frying pan with ribbed plate suitable for induction cookers PNC 653618

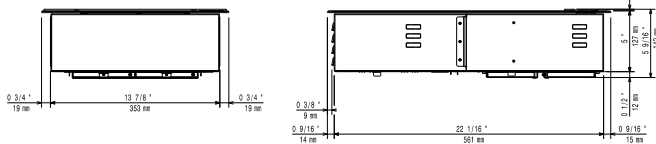
APPROVAL: \_\_\_\_\_

Top

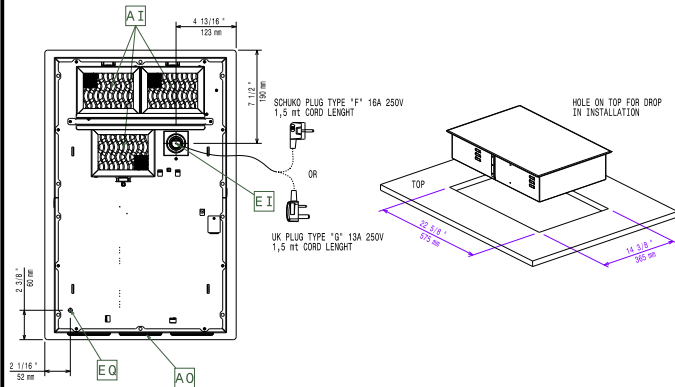


ELECTROLUX VERSION

Side


 EI = Electrical inlet (power)  
 EO = Electrical Outlet

Other



### Electric

<b>Supply voltage:</b>	600902 (E1HAEDOMCU)	220-240 V/1N ph/50-60 Hz
<b>Front Plate Watts:</b>		3 kW
<b>Back Plate Watts:</b>		3 kW
<b>Plug type:</b>		UK-13A
<b>Minimum Circuit Ampacity (MCA):</b>		13A

### Key Information:

<b>External dimensions, Width:</b>	392 mm
<b>External dimensions, Depth:</b>	592 mm
<b>External dimensions, Height:</b>	127 mm
<b>Net weight:</b>	14.5 kg